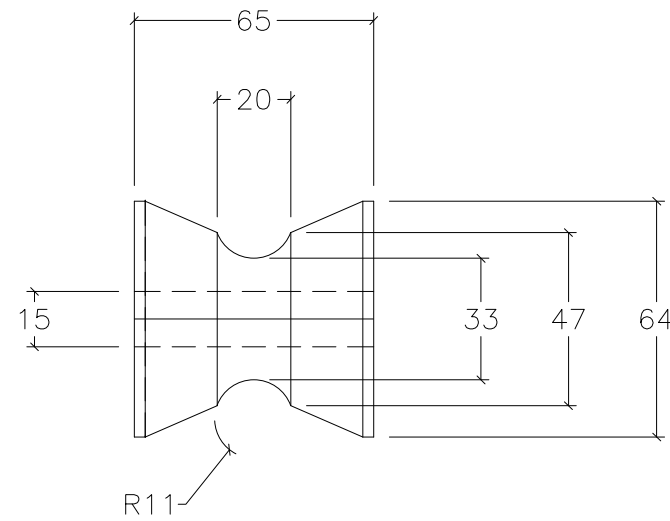
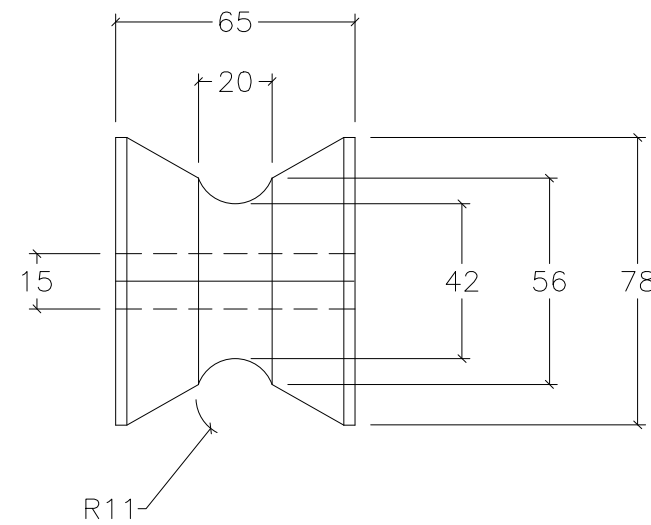


90114 B OW PLANK ROLLER KIT




ROLLER #1



ROLLER #2

NOTE: ALL DIMENSIONS ARE IN MILLIMETERS

| | | | | | |
|---|------------------|-----------------------------|---------------|--------------|-------------------------------|
|  www.saltgear.com | SIZE B | 90114 B OW PLANK ROLLER KIT | | | DWG DATE 06/21/2021 |
| | PROJECT MANAGER: | DRAWN BY: JDN | SCALE: N.T.S. | SHEET 1 OF 1 | |