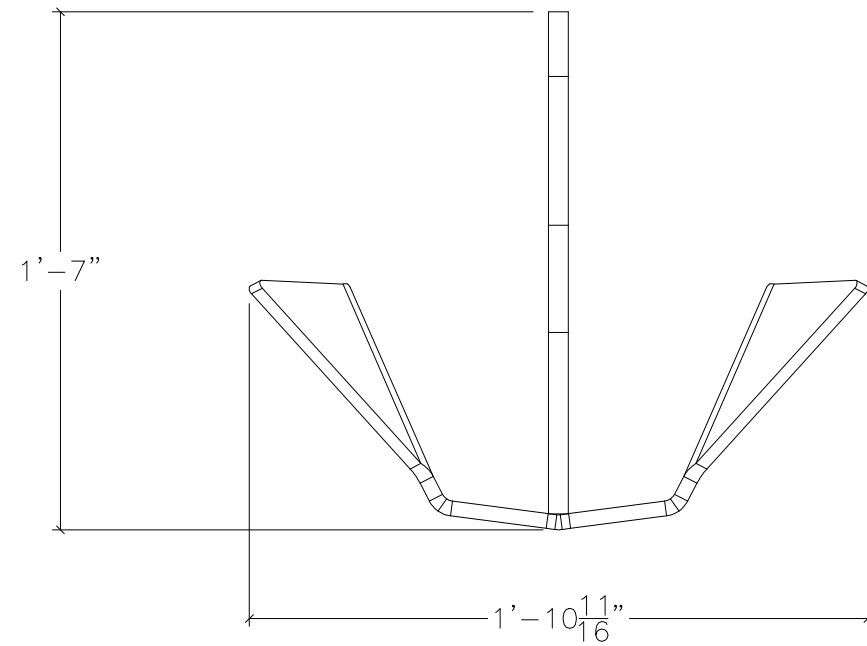
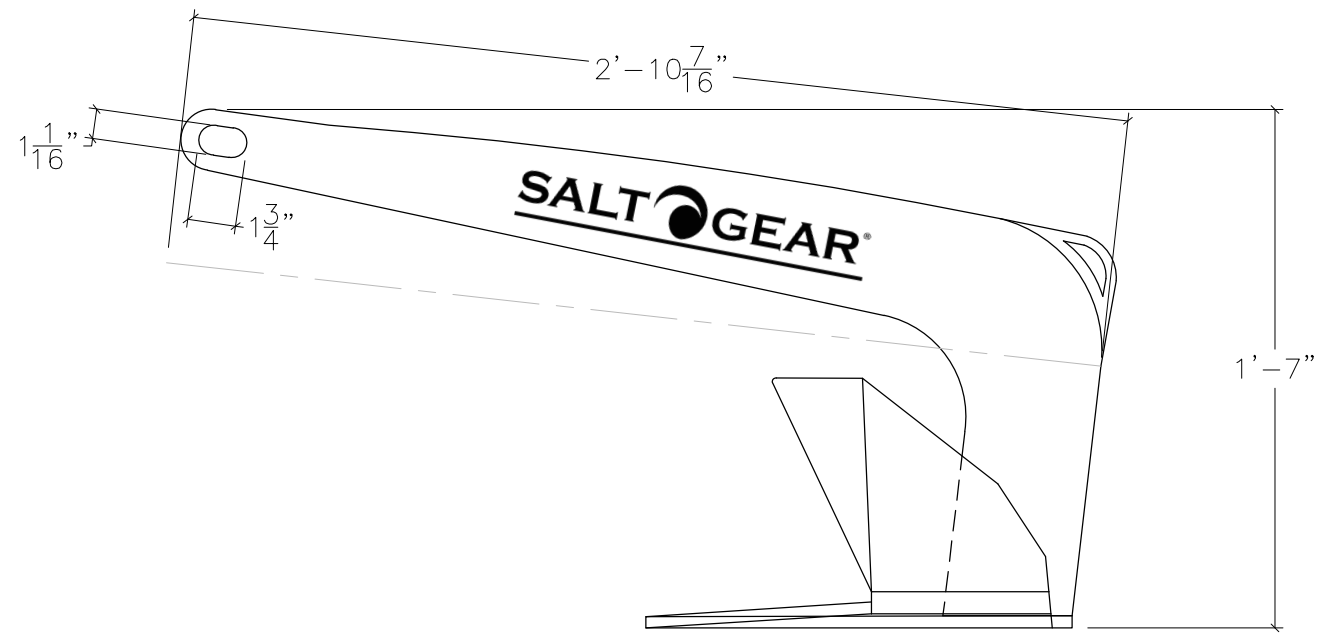


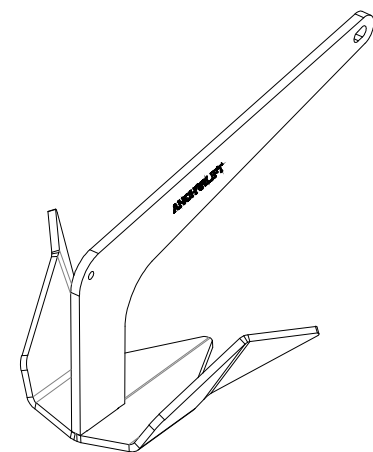
CX40 ANCHOR



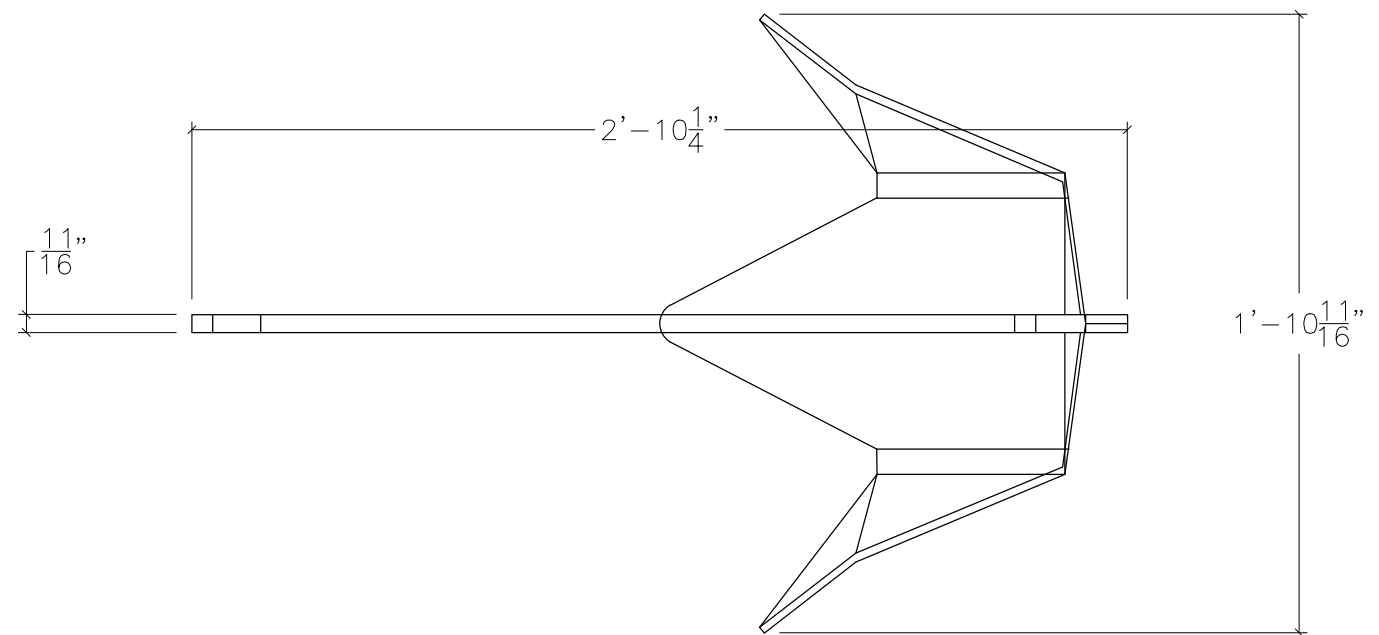
FRONT VIEW



SIDE VIEW




3-D VIEW



TOP VIEW

NOTE: ALL DIMENSIONS ARE IN INCHES

	SIZE	CX40 ANCHOR	DWG DATE	
	B		2/13/2021	
www.saltgear.com	PROJECT MANAGER:	DRAWN BY: JDN	SCALE: N.T.S.	SHEET 1 OF 1