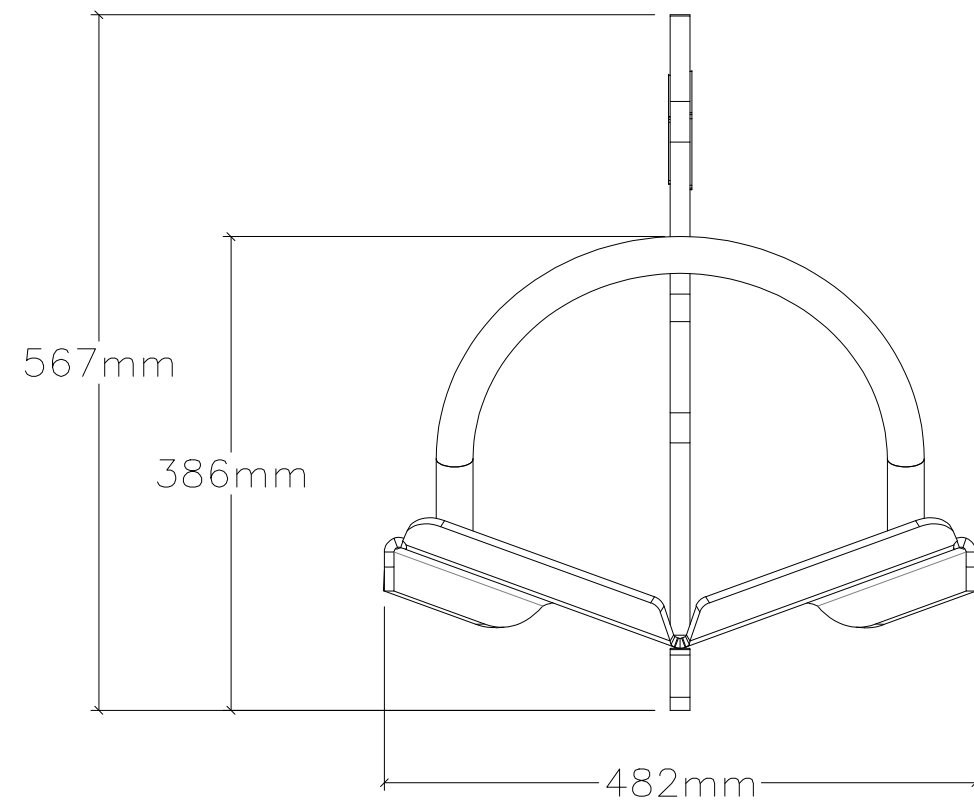
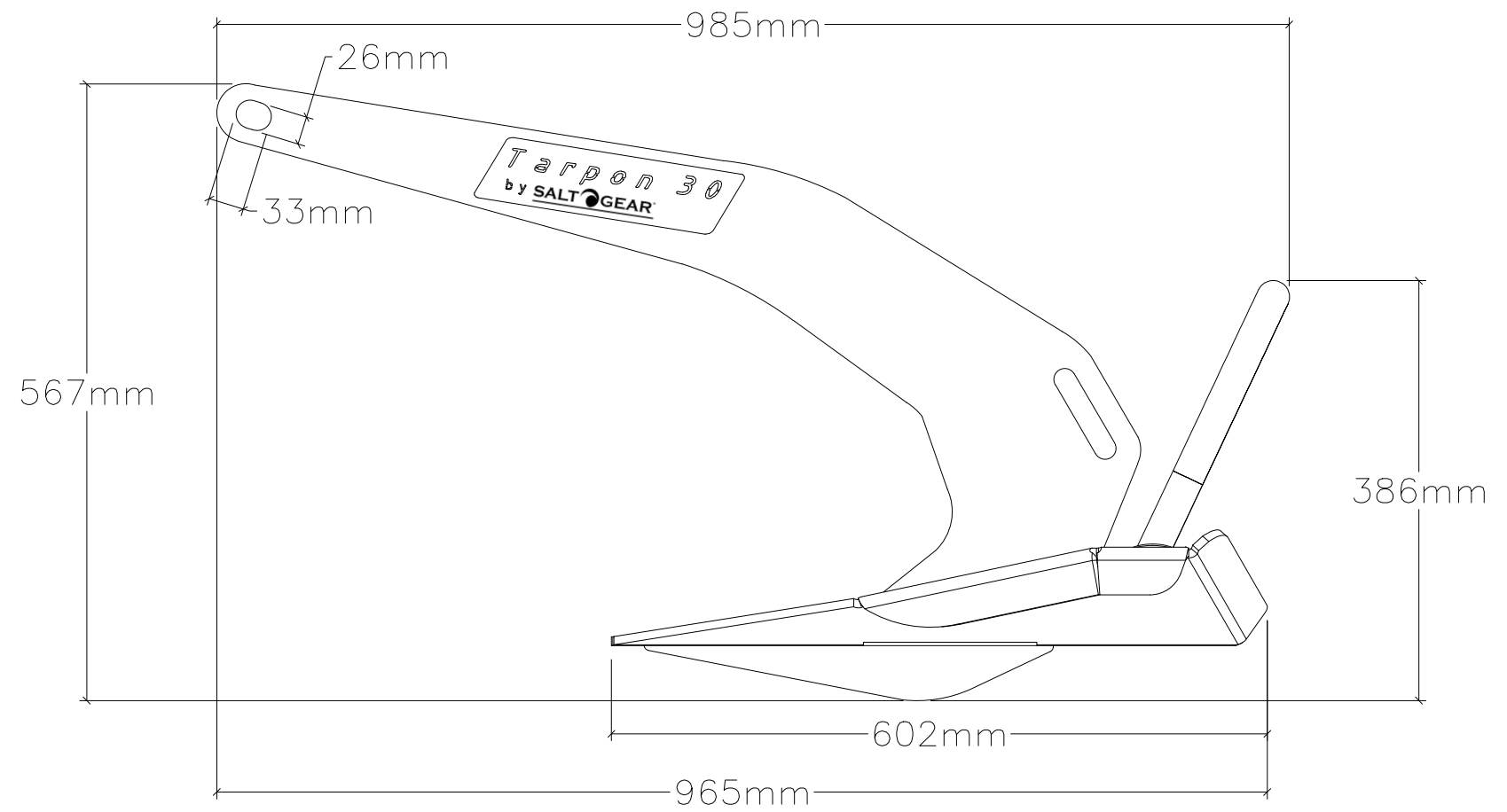


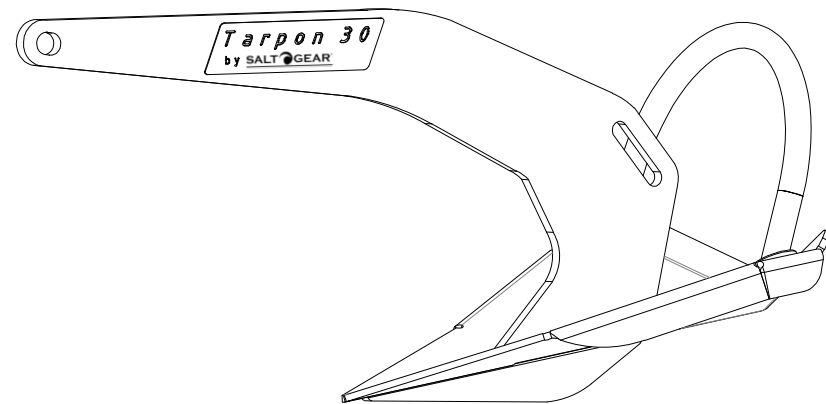
TPX30RB ANCHOR



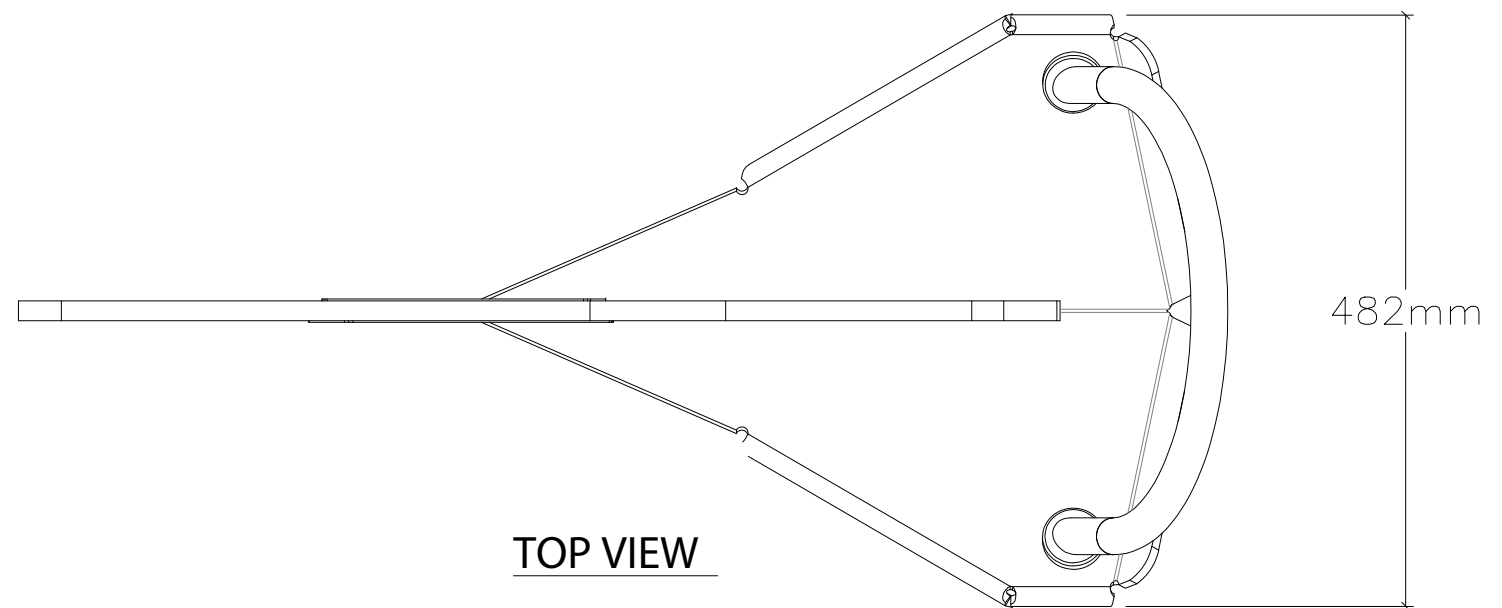
FRONT VIEW



SIDE VIEW




3-D VIEW



TOP VIEW

NOTE: ALL DIMENSIONS ARE IN MILLIMETERS

	SIZE B	TPX30RB ANCHOR ADDRESS	DWG DATE 1/11/2021	
	www.saltgear.com	PROJECT MANAGER:	DRAWN BY: JDN	SCALE: N.T.S.