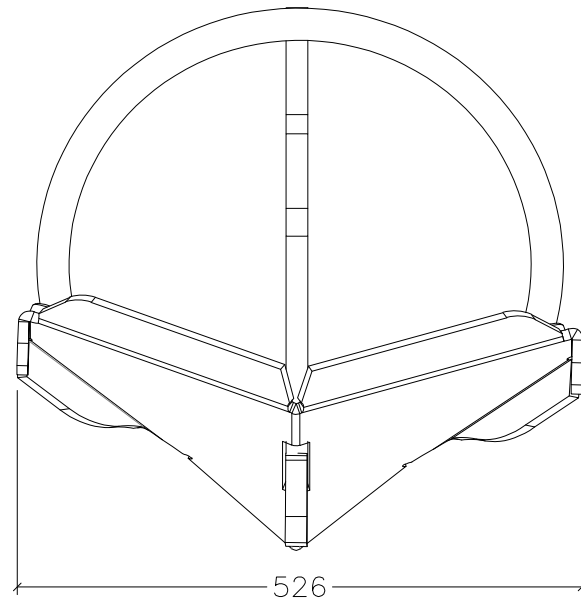
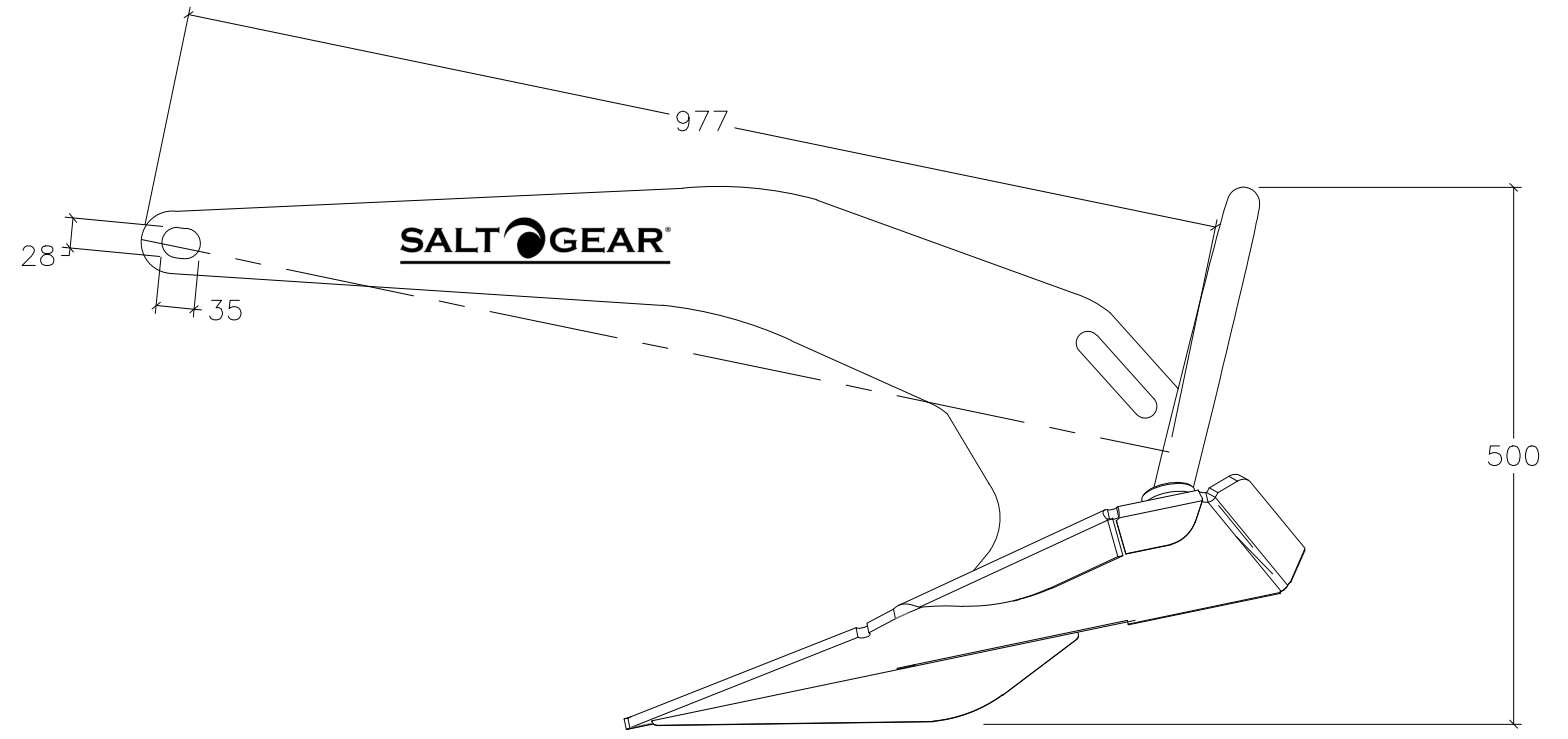


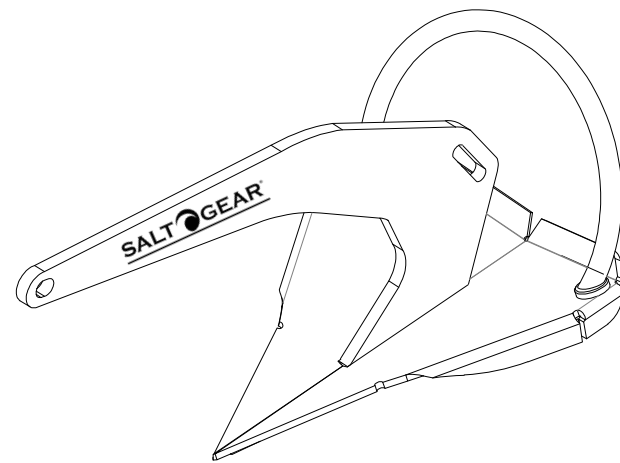
# TPX40 ANCHOR



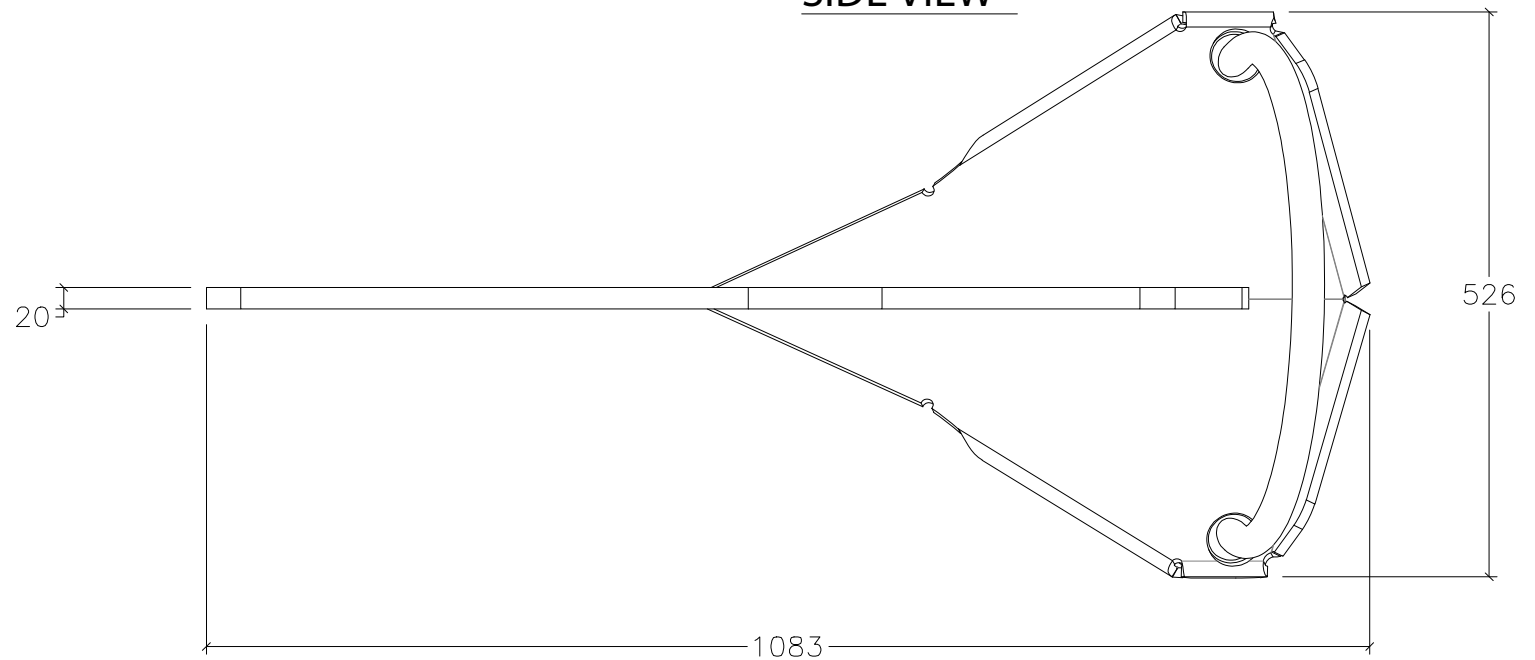
FRONT VIEW



SIDE VIEW




3-D VIEW



TOP VIEW

NOTE: ALL DIMENSIONS ARE IN MILLIMETERS

 <a href="http://www.saltgear.com">www.saltgear.com</a>	SIZE <b>B</b>	TPX40 ANCHOR	DWG DATE <b>2/13/2021</b>	
	PROJECT MANAGER:	DRAWN BY: JDN	SCALE: N.T.S.	SHEET 1 OF 1