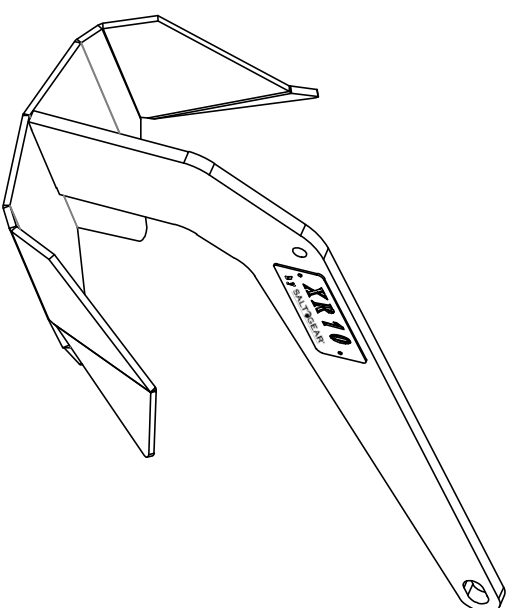
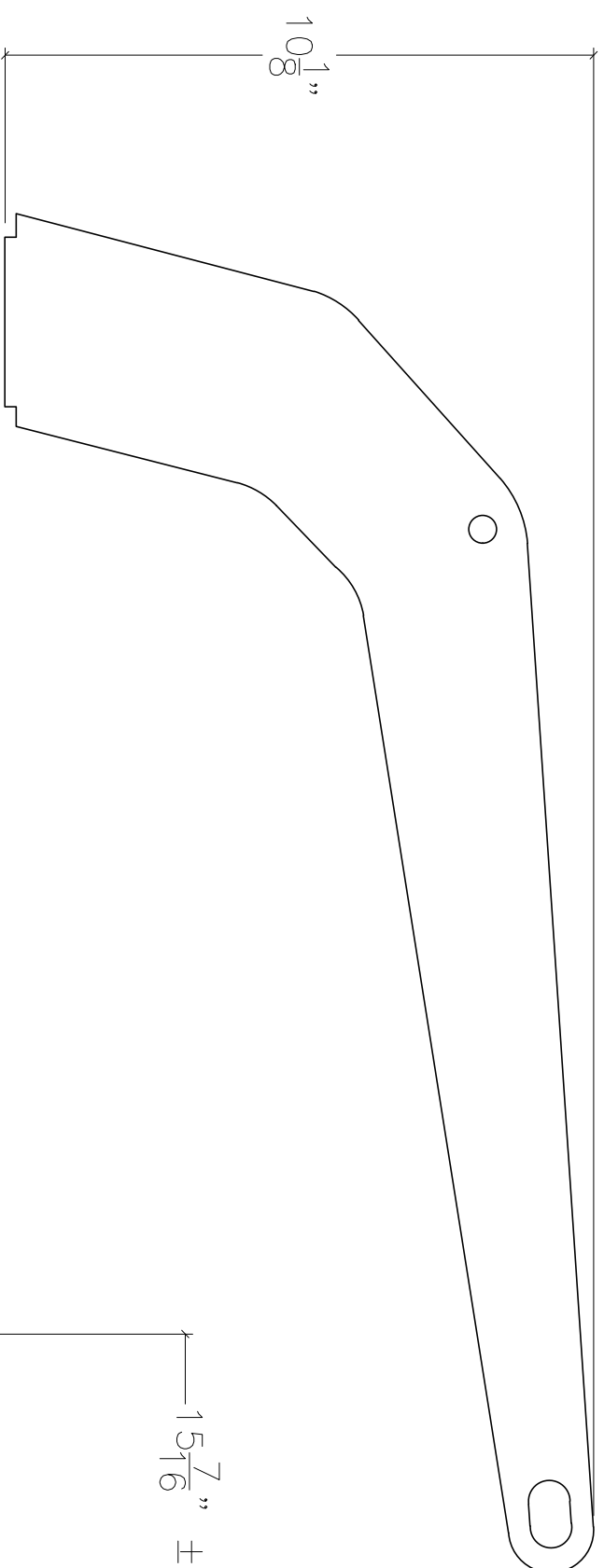
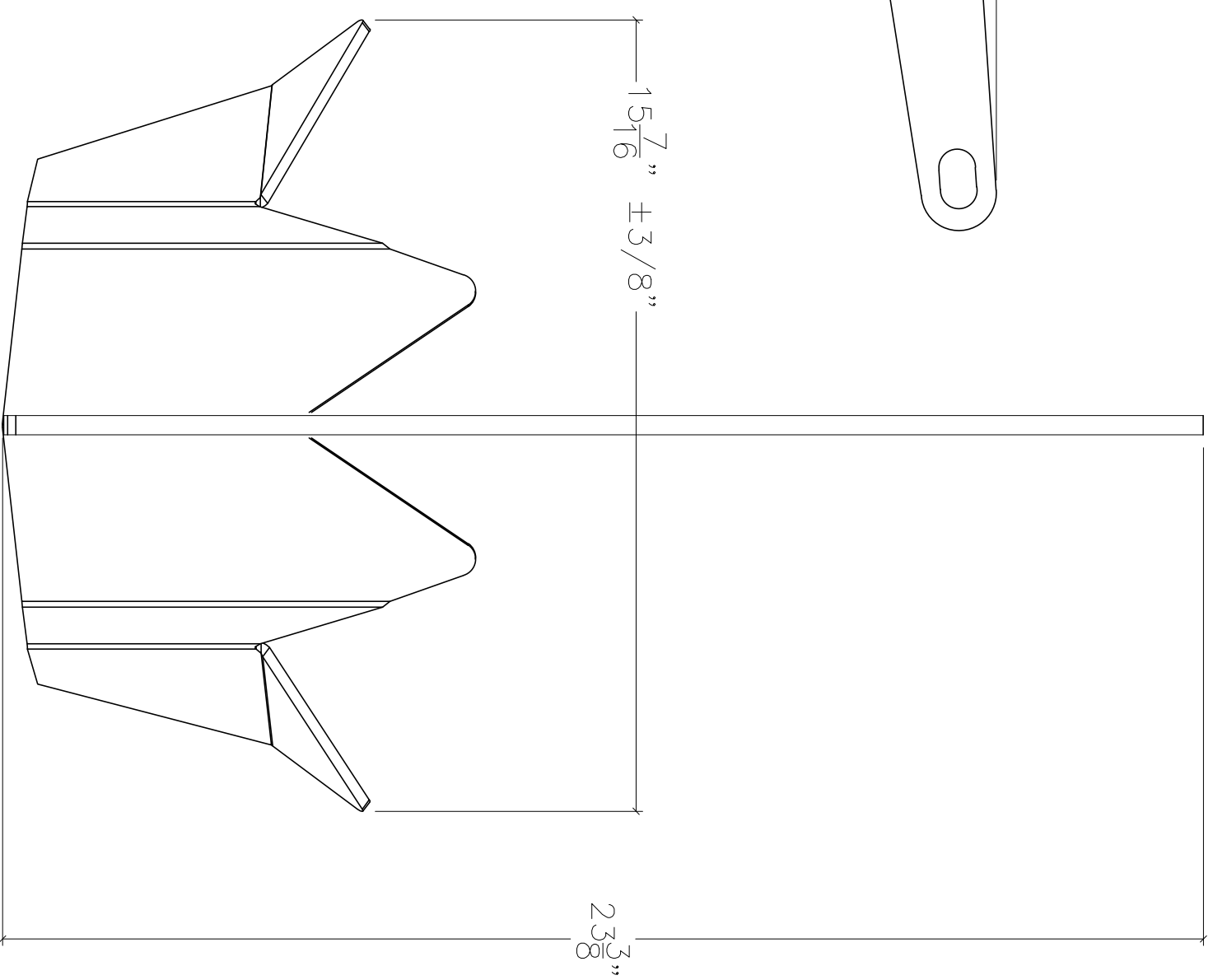


XR 10 SALTGEAR



3-D VIEW



TOP VIEW

NOTE: ALL DIMENSIONS ARE IN INCHES

SALTGEAR®

www.saltgear.com

SIZE **B**
XR 10 SALTGEAR
ADDRESS

PROJECT MANAGER:

DRAWN BY: JDN

SCALE: N.T.S.

SHEET 1 OF 1

DWG DATE
07/20/2020